

Fugitive Emissions Process to Instrument

Meets MESG SPE 77/300

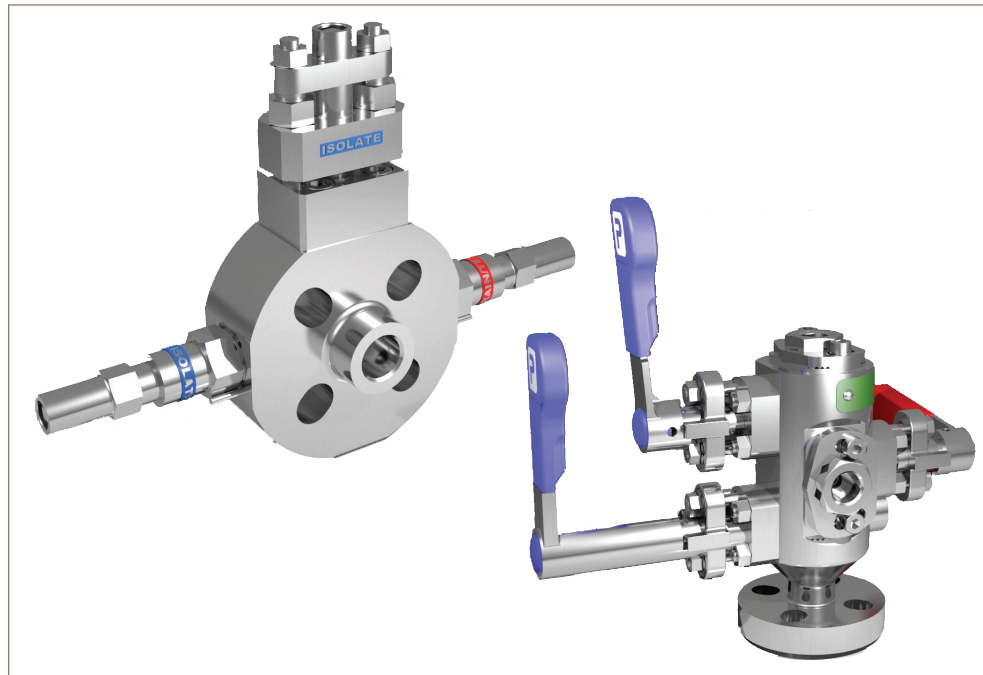


Product Description

Process to Instrument Valves

Single piece forged and modular construction Block and Bleed and Double Block and Bleed valves to MESG SPE 77/300. The Probloc modular design and the Monoflange (slim line) valves are available from class 150# to class 2500#.

Flange sizes 1/2" through to 2". Cold working pressures up to 6000 psi depending on flange class rating and temperature. Outside Screw and Yoke packing adjustment for the ball valve design and Slimline Primary or/and Secondary, with a screwed bonnet option for the vent valve. All valve designs are TAT (Type Approve Tested) by Shell.



Contact Information:

**Parker Hannifin Manufacturing Ltd
Instrumentation Products Division,
Europe
Riverside Road
Pottington Business Park
Barnstaple
Devon
EX31 1NP
UK**

www.parker.com/ipd



Product Features:

- Shell TAT approved in accordance with technical specification SPE 77/300
- Pressure rating classes 2500# and below
- Fugitive emission class A (HS) and class B
- ISO 5208 seat leakage rate A.
- -50 degrees C (non operable)
- Operable minus 20 degrees C to plus 232 degrees C. TAT conducted between minus 20 and plus 150 degrees C
- Live loaded lower packing on the class A
- Adjustable upper packing with Grafoil fire safe glands
- Zero Elastomers
- Non rotating two piece stem design – prevents any potential for galling of the seat and stem tip
- Integral A-LOK compression ends removes NPT – This prevents galling, removes a potential leak path, removes the need for tape or sealant, reduces installation time and lowers overall cost
- European sourced material – The raw material is closely monitored through our purchasing and manufacturing process this guarantees the client will get the correct grade and quality material each and every time

ENGINEERING YOUR SUCCESS.

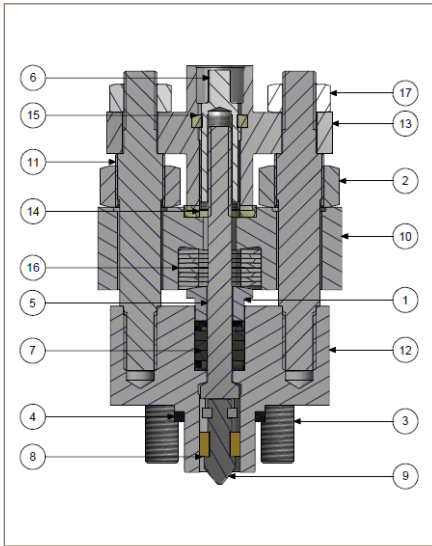
Technical Information

Shell Global Solutions require the flange classes to be available with either slotted holes to allow the combination of differing classes fitting the same process flange, the size being the same. The flanges are also available with specific flange classes to mate with its identical size and class.

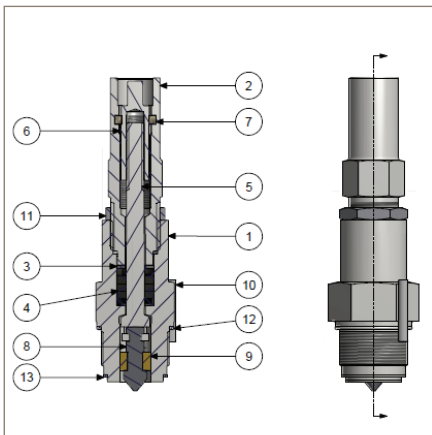
Flange Class Combinations

SLOTTED BOLT HOLES 150/300/600#
SLOTTED BOLT HOLES 900/1500/2500#
SLOTTED BOLT HOLES 300/600#
ASME CL 150
ASME CL 300
ASME CL 600
ASME CL 1500
ASME CL 2500

Other options are available, please contact the Division



Parts List		
ITEM	QTY	DESCRIPTION
1	1	FE CLASS A(HS) / SLIM NEEDLE VALVE UPPER THRUST BUSH
2	2	TAMAP FE CLASS A(HS) / B SLIM NV GLANDNUT
3	4	M8 X 30MM CAPHEAD
4	1	BONNET SEAL FOR BALL VALVE CLASS B
5	1	UPPER STEM FE NEEDLE VALVE AHS CLASS
6	1	STEM DRIVE FE NEEDLE VALVE A (HS)/B CLASS
7	1	GRAPHITE VALVE PACKING
8	1	LOWER BUSH STEM
9	1	LOWER STEM
10	1	TAMAP FE CLASS A(HAS) / B SLIM NV BRIDGE
11	2	FE CLASS A(HS) / B NV SLIM GLANDSTUD
12	1	BONNET FE NEEDLE VALVE AHS CLASS
13	1	STEM DRIVE LOCATOR FE NEEDLE VALVE CLASS A & B
14	1	FELT WIPER FE NEEDLE VALVE AHS CLASS
15	1	FELT WIPER FE NEEDLE VALVE AHS CLASS
16	8	LIVE LOADING
17	2	M8* 1.25 HEAVY HEX NUT



Parts List		
ITEM	QTY	DESCRIPTION
1	1	TAMAP NV BONNET SCREWED - CLASS B FUGITIVE EMISSIONS
2	1	TAMAP NV STEM DRIVE LOCATOR - CLASS B TAMPER PROOF
3	1	TAMAP NEEDLE VALVE SCREWED THRUST
4	1	GRAPHITE VALVE PACKING
5	1	UPPER STEM FE HANDLE A(HS)/B CLASS
6	1	STEM DRIVE FE NEEDLE VALVE AHS CLASS
7	1	FELT WIPER FE NEEDLE VALVE AHS CLASS
8	1	LOWER STEM
9	1	LOWER BUSH STEM
10	1	ANTI-TAMPER PIN
11	1	LOCK NUT FOR HEAD ASSEMBLY
12	1	BODY- BONNET JOINT SEAL - HS / RS-SERIES
13	1	BODY- BONNET JOINT SEAL - HS / RS-SERIES

